

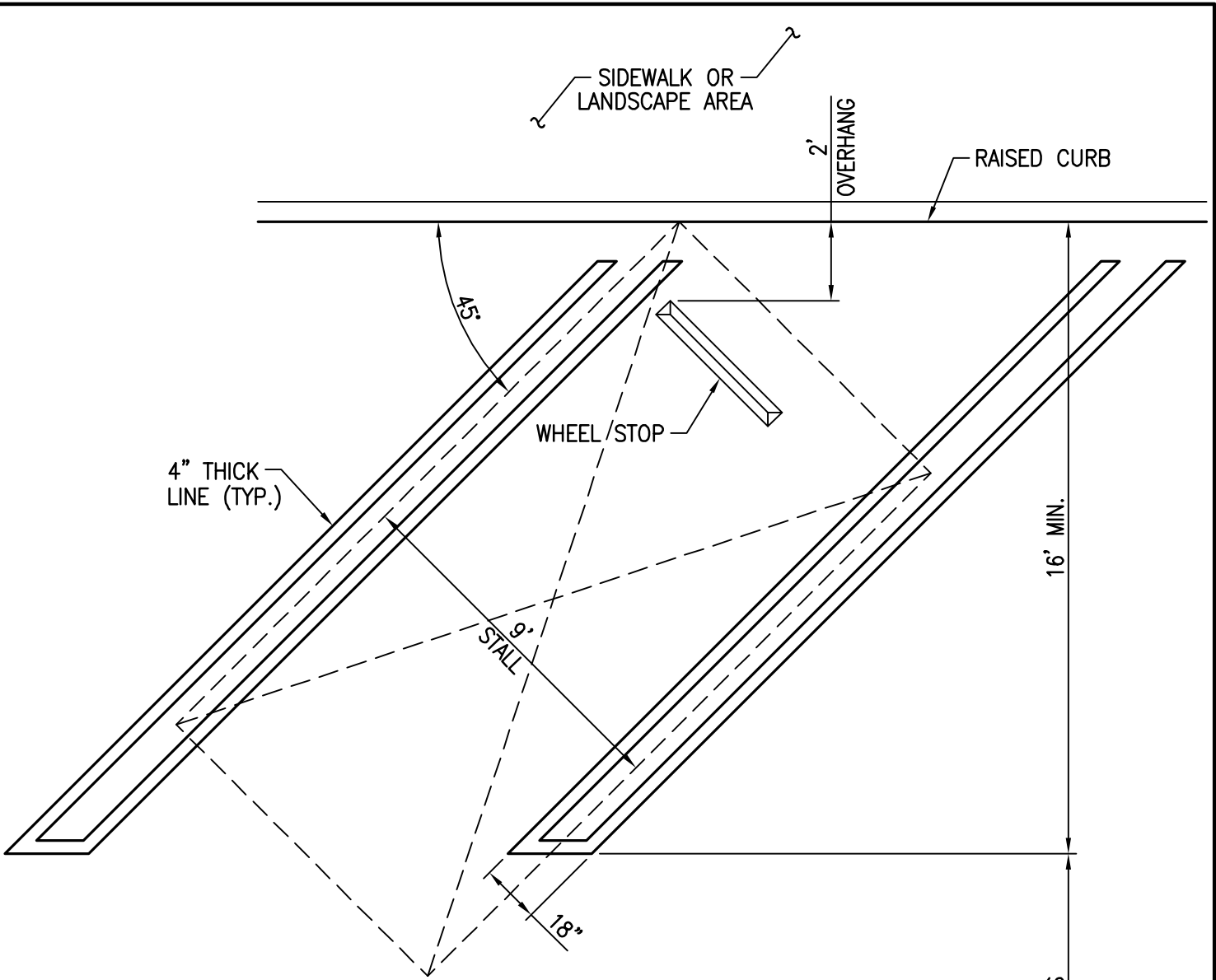
PARKING BAY WIDTHS	
ONE-WAY TRAFFIC & SINGLE LOADED AISLES	43'-4"
TWO-WAY TRAFFIC & SINGLE LOADED AISLES	43'-4"
ONE-WAY TRAFFIC & DOUBLE LOADED AISLES	61'-4"
TWO-WAY TRAFFIC & DOUBLE LOADED AISLES	61'-4"



PARKING BAY WIDTHS
PER TABLE HEREON

APPROVED BY: <i>mch</i>		DATE: 04/04/17
REVISION	DESCRIPTION	DATE

CITY OF MONTCLAIR PUBLIC WORKS DEPARTMENT		STANDARD DWG.
STANDARD HAIRPIN PARKING DETAIL		SP-2A

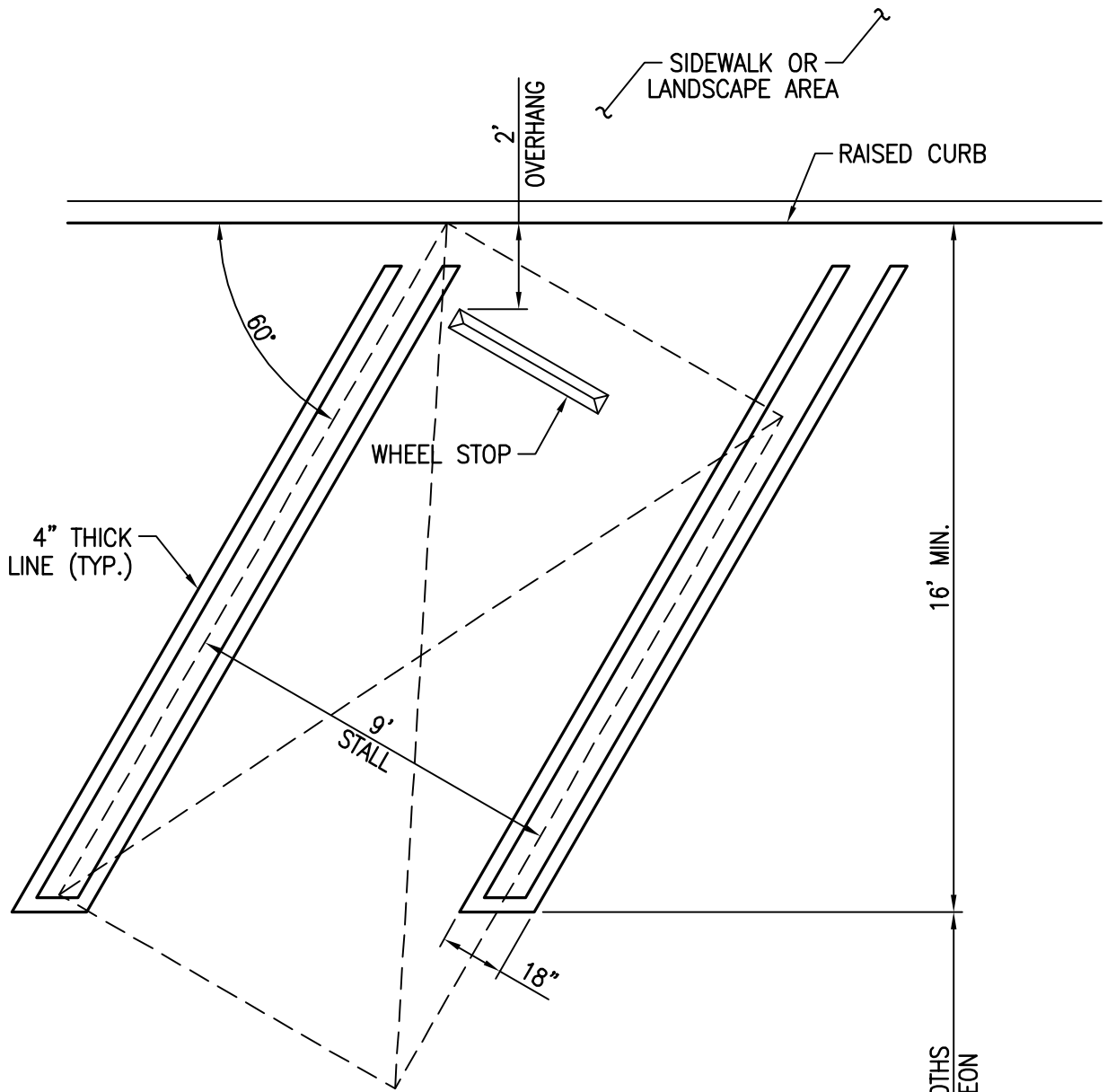


PARKING BAY WIDTHS FOR 45° STALLS	
ONE-WAY TRAFFIC & SINGLE LOADED AISLES	30'-3"
TWO-WAY TRAFFIC & SINGLE LOADED AISLES	38'-4"
ONE-WAY TRAFFIC & DOUBLE LOADED AISLES	48'-7"
TWO-WAY TRAFFIC & DOUBLE LOADED AISLES	56'-4"



APPROVED BY: <i>mch</i>		DATE: 04/04/17
REVISION	DESCRIPTION	DATE

CITY OF MONTCLAIR PUBLIC WORKS DEPARTMENT		STANDARD DWG. SP-2B
STANDARD 45° HAIRPIN PARKING DETAIL		



PARKING BAY WIDTHS FOR 60° STALLS	
ONE-WAY TRAFFIC & SINGLE LOADED AISLES	35'-3"
TWO-WAY TRAFFIC & SINGLE LOADED AISLES	40'-7"
ONE-WAY TRAFFIC & DOUBLE LOADED AISLES	54'-8"
TWO-WAY TRAFFIC & DOUBLE LOADED AISLES	59'-3"



PARKING BAY WIDTHS
PER TABLE HEREON

APPROVED BY:	<i>mch</i>	DATE:	04/04/17
REVISION	DESCRIPTION	DATE	

CITY OF MONTCLAIR PUBLIC WORKS DEPARTMENT		STANDARD DWG.
STANDARD 60° HAIRPIN PARKING DETAIL		SP-2C